

## Green Heron Engineering

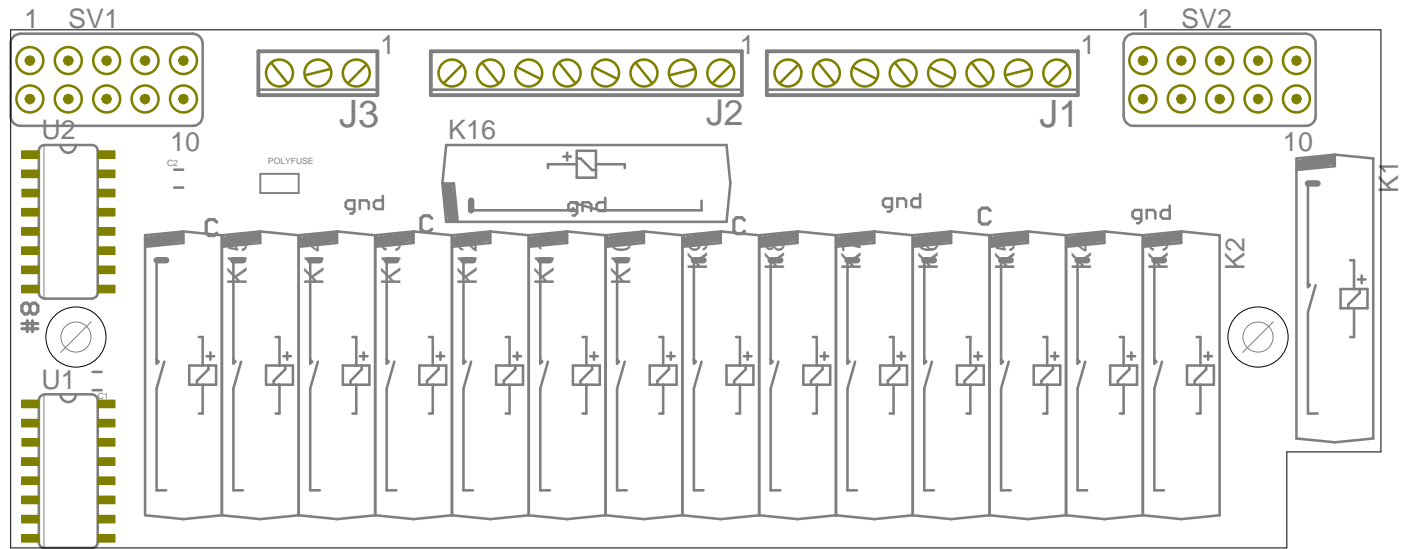
TITLE: 8 relay module

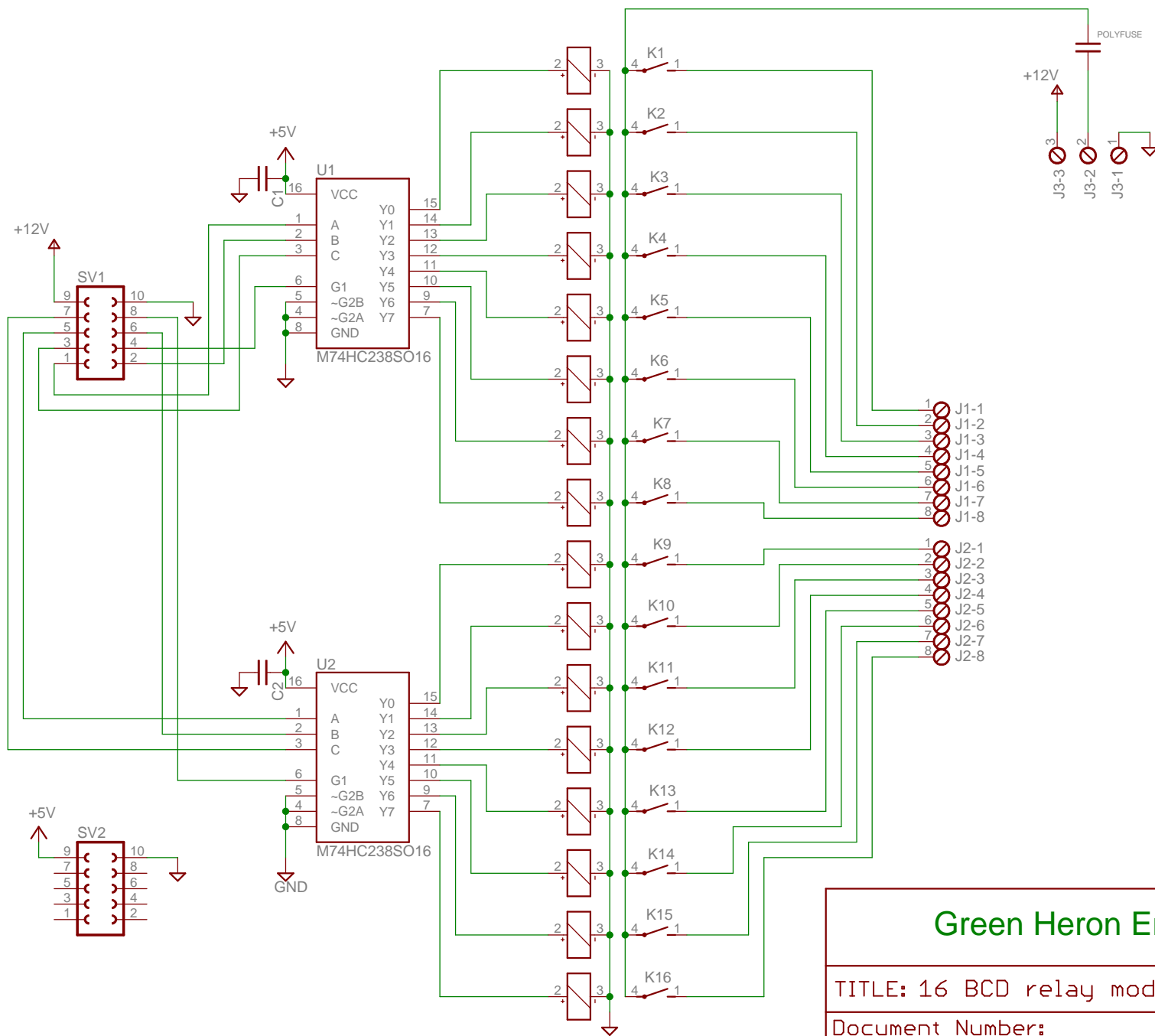
Document Number: **03-400**

REV:  
**1.1**

Date: 10/30/2013 9:46:45 AM

Sheet: 1/1





Green Heron Engineering

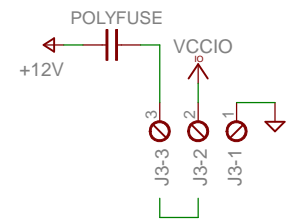
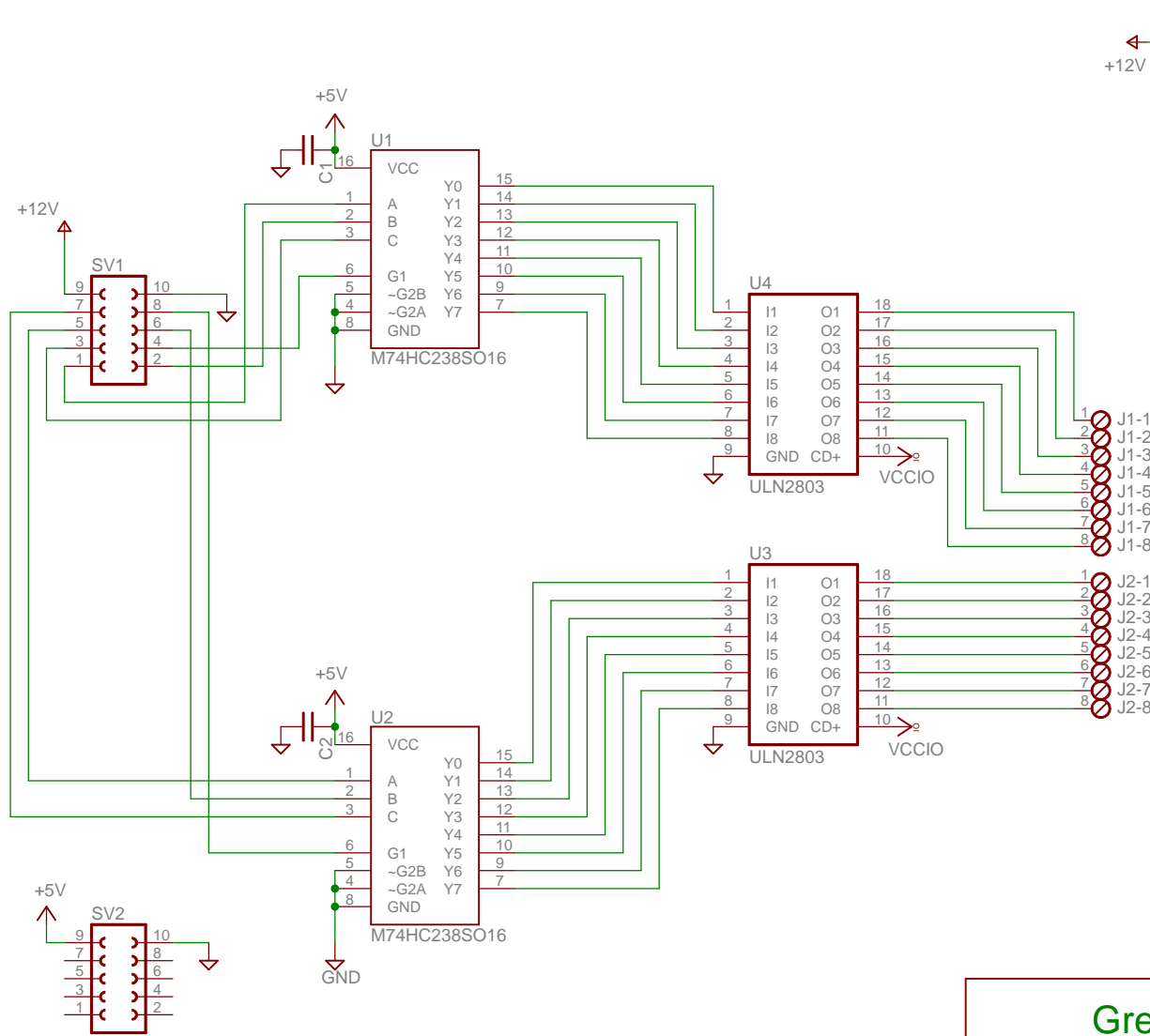
TITLE: 16 BCD relay module

Document Number:

REV:

Date: 3/2/2013 5:58:56 PM

Sheet: 1/1

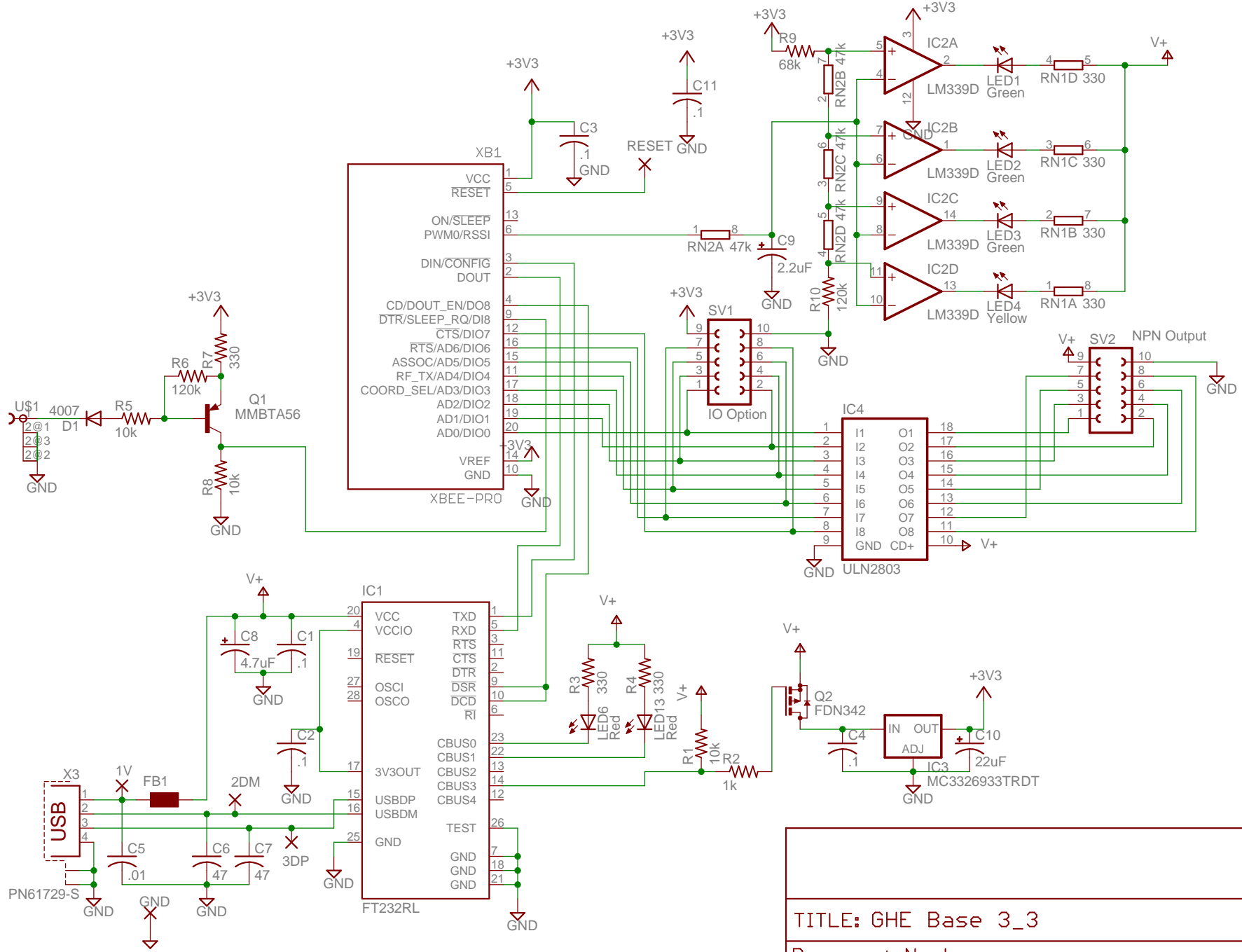


VCCIO MUST be connected to the relay supply in order to provide inductive kick protection.

You may connect J3-2 to J3-3 to allow the relay voltage to come from the internal 12V on a GHE Remote. Connect this also to the high side of your relays.



<b>Green Heron Engineering</b>	
TITLE: 16 Output NPN	
Document Number:	REV:
Date: 5/30/2016 8:01:49 PM	Sheet: 1/1



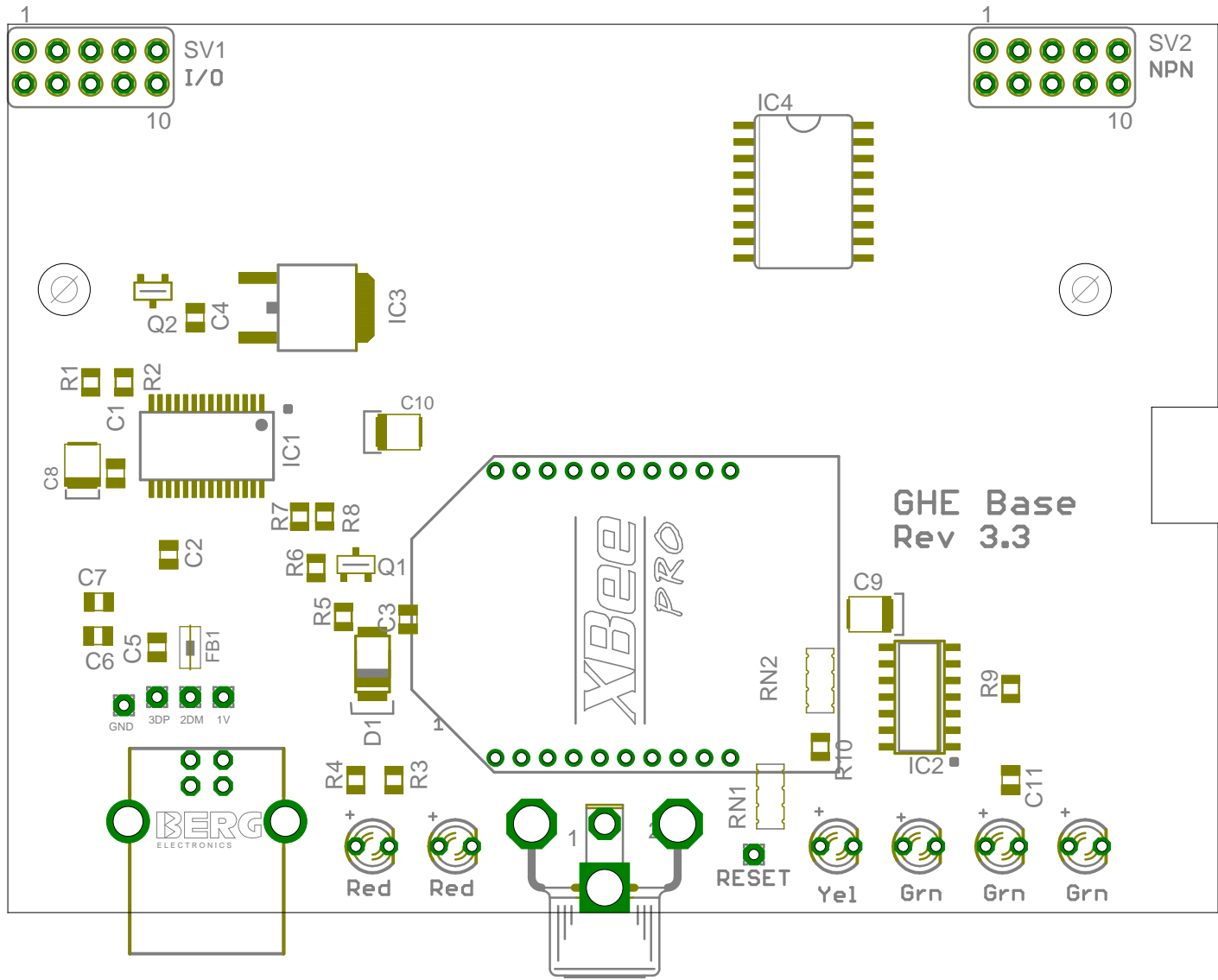
TITLE: GHE Base 3\_3

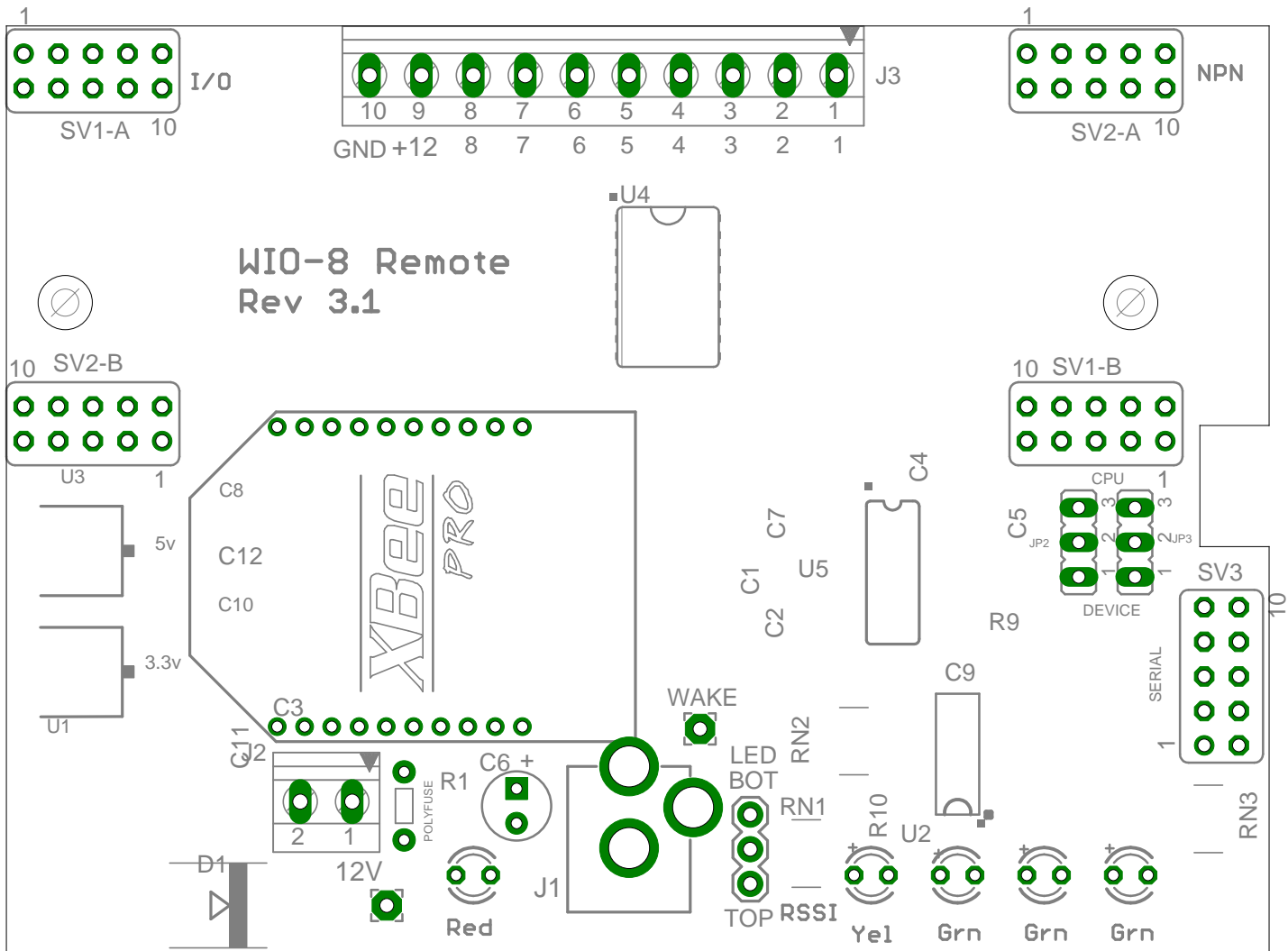
Document Number: \_\_\_\_\_

REV: \_\_\_\_\_

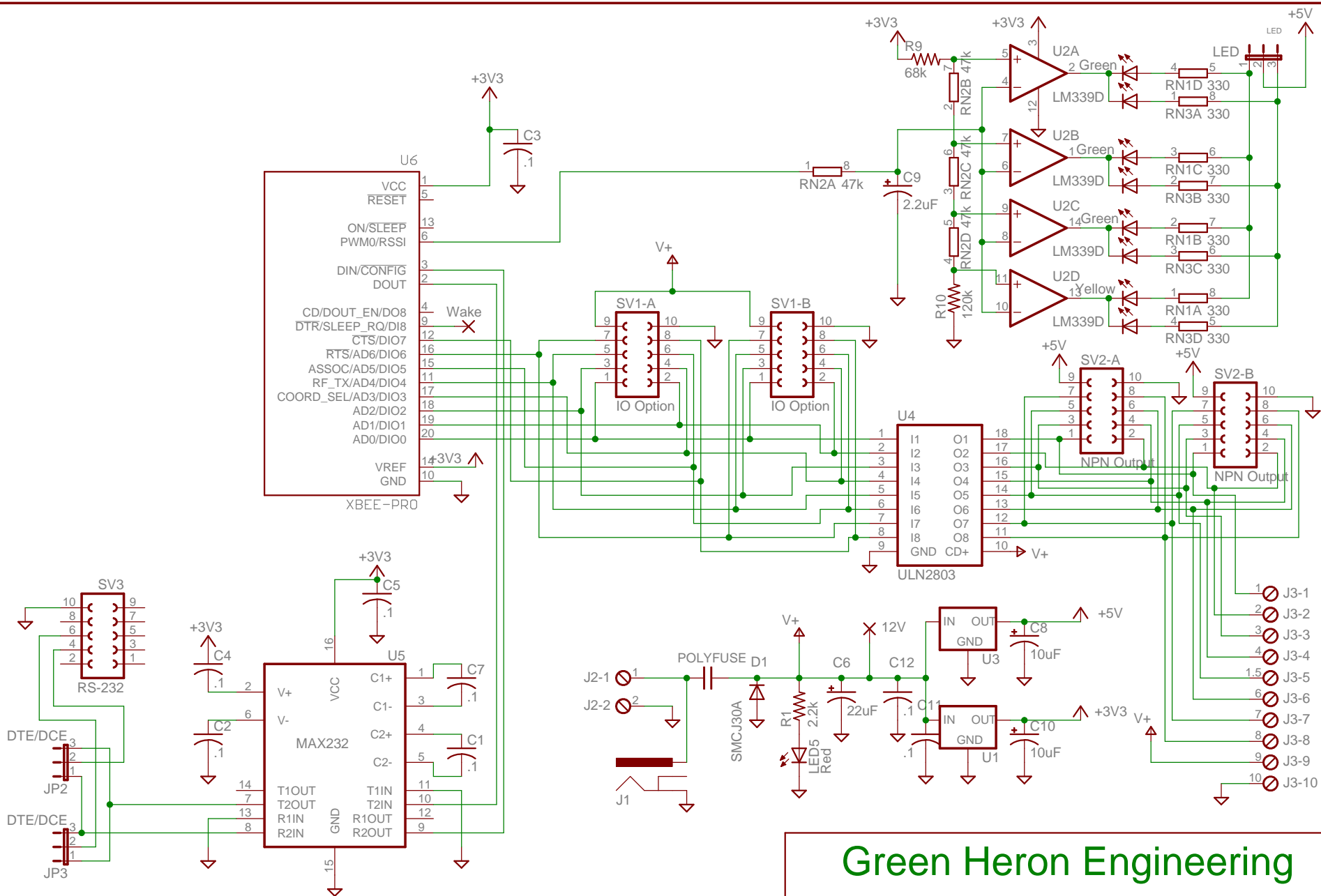
Date: 10/4/2013 8:53:43 AM

Sheet: 1/2









# Green Heron Engineering

TITLE: GHE Remote 3\_1

Document Number: \_\_\_\_\_ REV: \_\_\_\_\_

Date: 3/17/2013 10:52:34 AM Sheet: 1/2